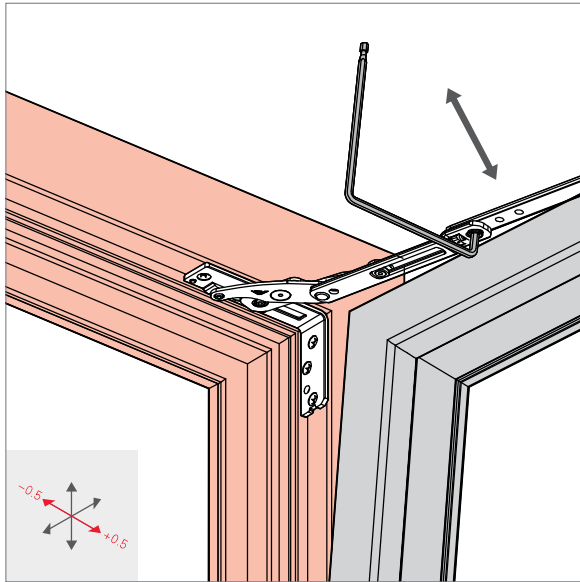


Lateral adjustment

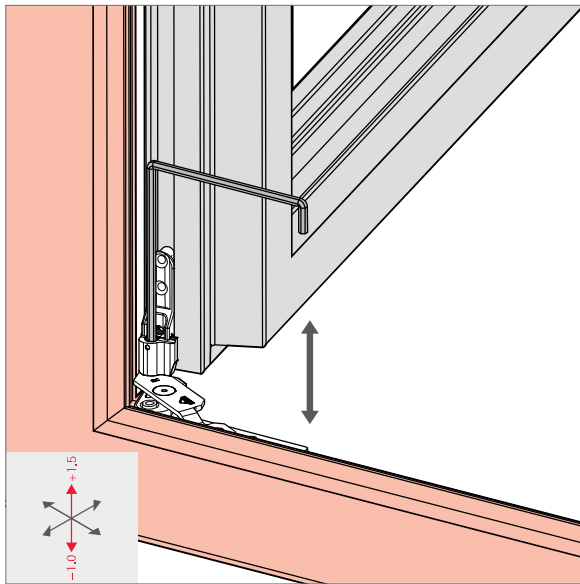


Gasket-compression adjustment

Adjustment

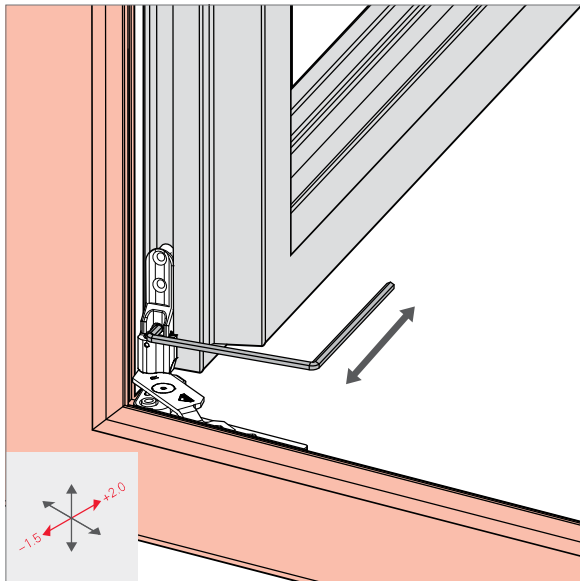
Adjustment instructions

Pivot rest / corner hinge

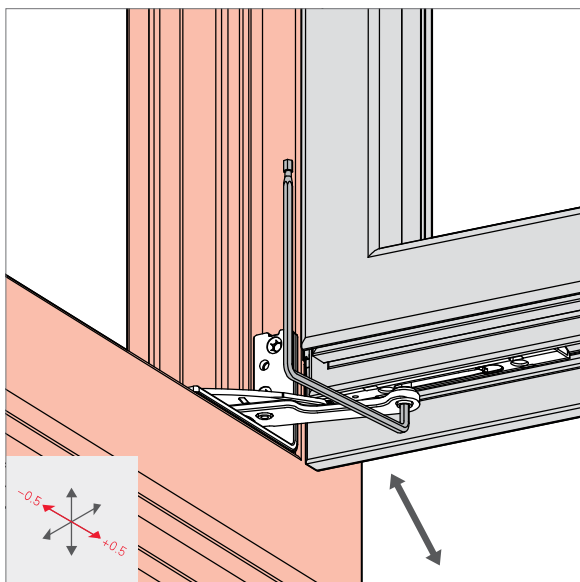


Height adjustment

After the height adjustment, the load transfer device has to be readjusted (refer to page 71).



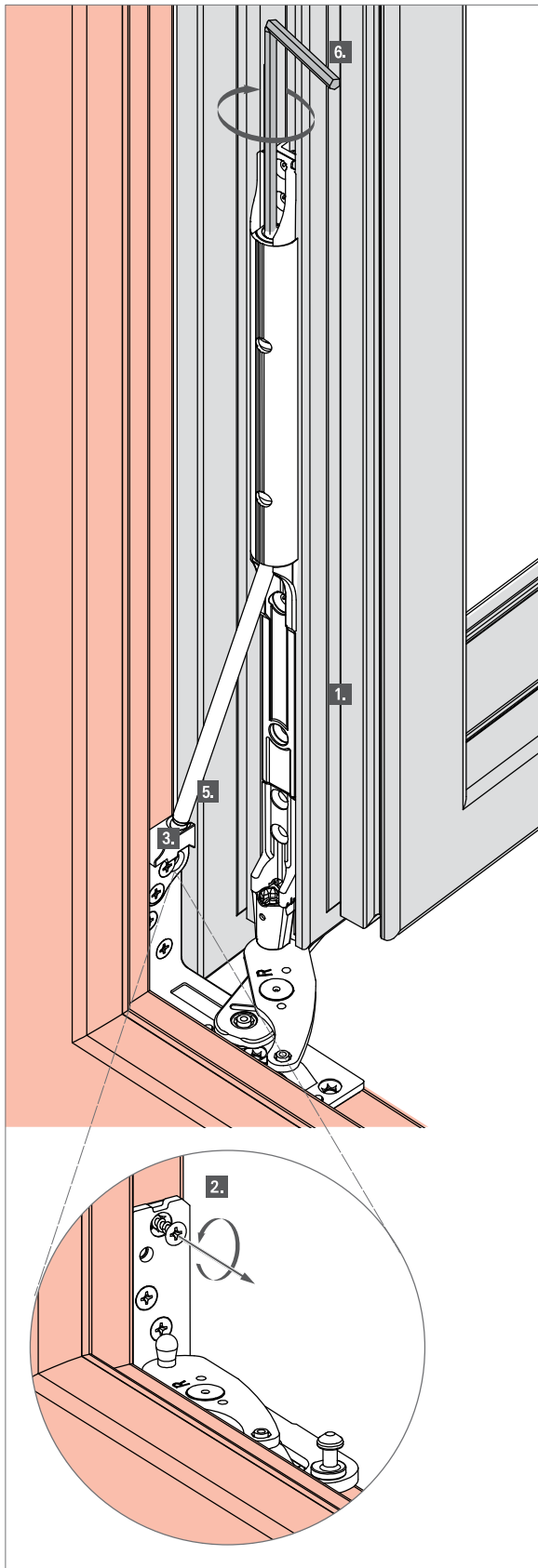
Lateral adjustment



Gasket-compression adjustment



Locking cam adjustment instructions						
Cam type	Adjustment range	Gasket-compression	Height	Side view		Tools
E cam						
	90°	$\pm 0.8 \text{ mm}$				
P cam						
	90°	$\pm 0.8 \text{ mm}$				
V cam						
Cam type	Adjustment range	Gasket-compression adjustment in mm	Height adjustment in mm	Side view / top view		Tools
	90°	$\pm 0.8 \text{ mm}$	$\pm 0.2 \text{ mm}$			
	180°	-	$\pm 0.4 \text{ mm}$			
	270°	$\pm 0.8 \text{ mm}$	$\pm 0.6 \text{ mm}$			
	360°	-	$\pm 0.8 \text{ mm}$			



Functionality of the load transfer device

The spring in the load transfer device disburdens the pivot rest permanently by approx. 60 to 80 kg.

In order to do so, the spring must be pre-stretched to a certain length. This applies regardless of the adjustment height of the sash.

The relieving of the pivot rest is carried out over the entire lifespan of the hardware, also in consideration of sagging and wear and tear.



NOTE!

Do not equip sashes with a sash weight < 80 kg with a load transfer device, because this can result in malfunctions.

It is compulsory to use a turn-restrictor.

If the sash is already hinged in the frame prior to transportation, the spring of the load transfer can be clamped in the workshop. However, this is only sensible if the sash is assembled with the full glass load.

Installing the load transfer device

1. Insert the load transfer device's sash component up against the corner hinge and screw-fix.
2. Loosen the pivot rest's top screw connection.
3. Place the load transfer device's frame component on top of the pivot rest and screw-fix.
4. Hinge the sash (see page 68).
5. Connect the support rod with the sash component and insert into the cavity of the frame component.

Adjusting the load transfer device

6. Adjust the load transfer device with a 4 mm hex key in a (90°) opened sash position:

Adjust the adjusting screw in the silver divided circle in such a manner that the sum of the red and silver divided circles result in one complete circle. Check the result in the inspection opening.

